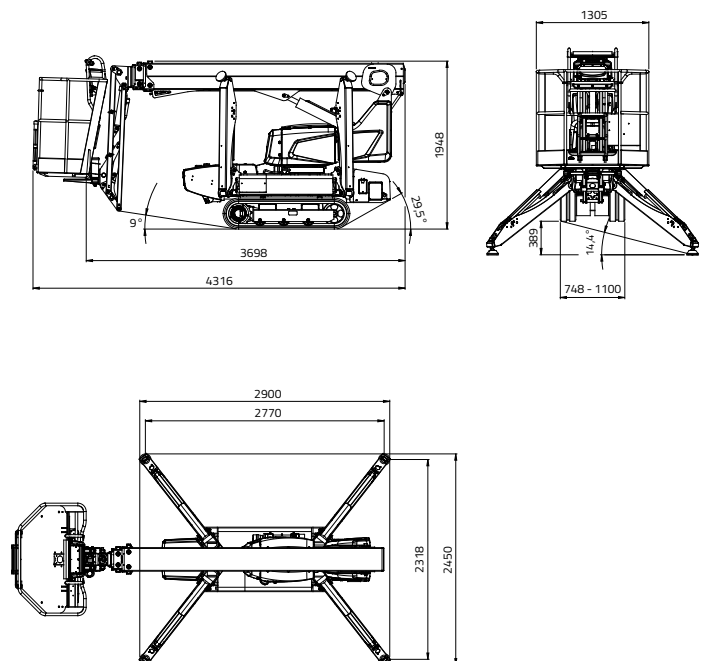


Capacity 136 kg
(1 person 80 kg + tool box 56 kg)



- | | |
|--|---|
|  12,90 m |  16° |
|  6,40 m |  1895 kg / 4178 lb |
|  4,316 m |  2900 x 2450 mm |
|  3,698 m |  Automatic set up system IIS std |
|  1,948 m |  Remote control |
|  748 - 1100 mm |  GPRS-GPS |
|  1305x600xh.1100 mm |  R.A.H.M. |



Battery52V 80Ah
 Electric motor :
 - rated voltage48 V
 - rated power2 kW
 Onboard battery charger:
 110V-230V+-30V 50-60 Hz